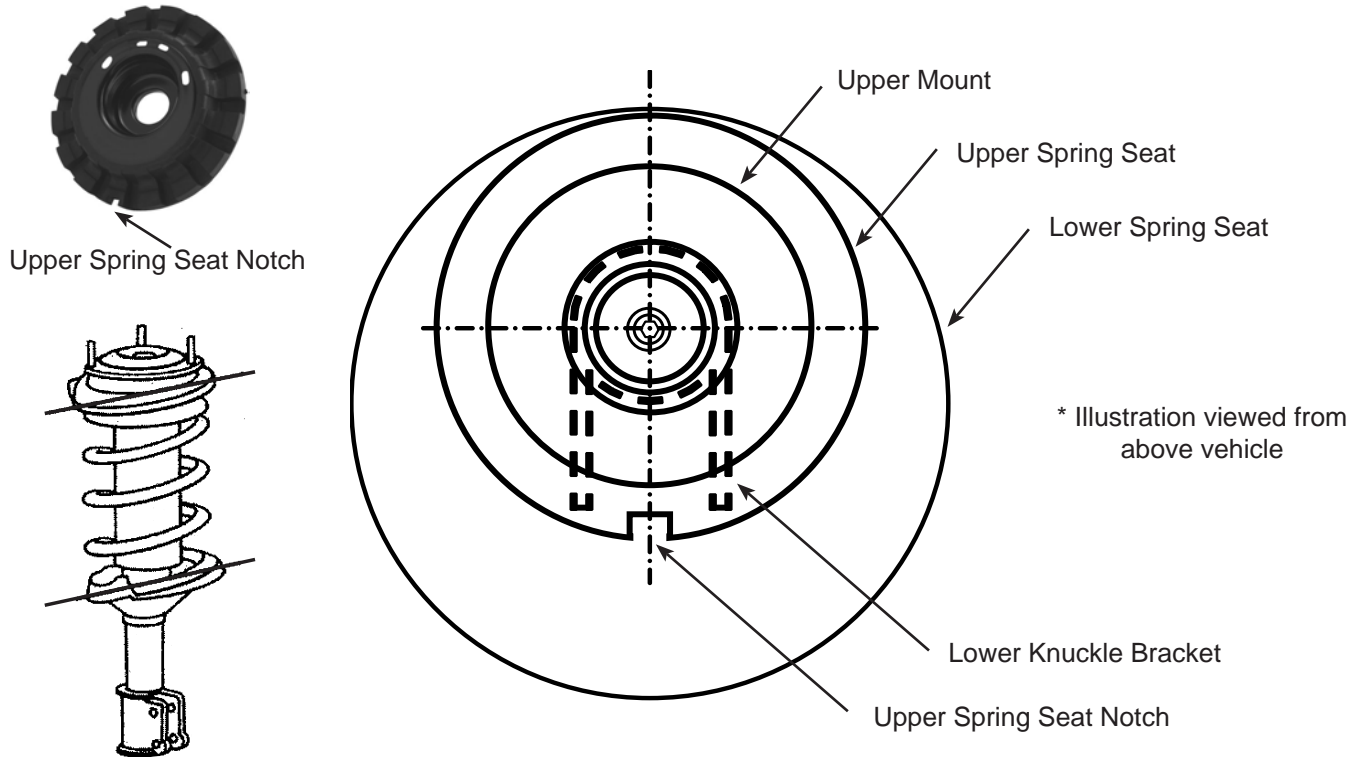


Chrysler, Dodge, Plymouth MiniVan Front Strut

1996-2000 KYB# 334188

2001-2007 KYB# 334335



**Topic:** **Assembly:** After spring to strut reassembly; the coil spring is bowed out to the side.

**Solution:** The angles of the upper & lower spring seats must be parallel when viewed from the side. This is done by aligning the notch in the upper spring seat with the centerline of the lower knuckle bracket opening.

**Topic:** **Diagnosing Noises While Driving:** Clunking or rattles over bumps may sound like strut mount noises.

**Solution:** If the strut mount is good & the spring seat clock position is correct, look at other suspension components. These vehicles are well known for other noise-causing components that can be difficult to pinpoint: The sway/stabilizer bar frame bushings and link pins are a common cause.

**Conditions:** Mis-diagnosed noises cause an unnecessary second replacement of the struts.